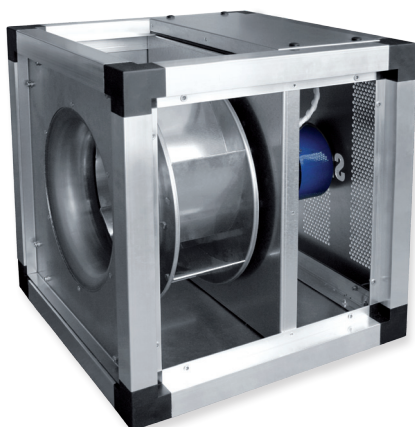


KUB T120



Kitchen fans

Virtuviniai ventilatoriai

Wentylatory kuchenne

Кухонные вентиляторы



Kitchen exhaust units are used for installation where the air is slightly greasy or the air temperature is up to 120°C. Typical applications are to exhaust kitchens, production shops and other areas where polluted air has to be exhausted. Motors are outside of the air stream. Panels are removable, allowing flexible installation. Fans airflow direction is 90°.

Impellers: backward - curved blades.

Motor: IEC standard motor with external rotor, speed controllable, On/Off safety switch, built-in thermal-contacts.

Housing: The casing consists of an aluminium frame and double skin, galvanised steel panels with 25 mm mineral wool insulation.



Ventiliatoriai skirti virtuvėms arba ištraukti riebaluotą orą, kur temperatūra ne aukštesnė nei 120°C. Dažniausiai naudojami virtuvių, gamyklų ir kitų užterštų patalpų orui ištraukti.

Variklis atskirtas nuo oro srauto.

Patogus montavimas - sienelės nuimamos ir keičiamos vietomis.

Ventiliatorių išpūtimo kryptis 90°.

Sparnuotė: atgal lenktasis sparneliais, cinkuoto plieno.

Vatiklis: išorinis rotorius, tiesioginė pavara, integruota termokontaktinė variklio apsauga, atitinka IEC standartą, komplektuojamas su saugos kirtikliu. Valdomas greičio reguliatoriumi arba dažnio keitikliu.

Korpusas: cinkuota skarda, dviguba izoliacija iš 25 mm mineralinės vatos.



Jednostki kuchenne są stosowane do instalacji, w której powietrze jest lekko tłuste lub temperatura powietrza wynosi do 120 °C. Typowe zastosowania to kuchnie, hale produkcyjne i inne obszary gdzie za-nieczyszczone powietrze musi być wywiane. Silnik umieszczony jest poza strumieniem powietrza.

Wymienne panele umożliwiające elastyczność instalacji.

Kierunek przepływu powietrza 90°.

Wirnik: do tyłu - zakrzywione ostrza.

Silnik: EC silnik z zewnętrznym wirnikiem, regulowana prędkość, Włącznik / wyłącznik bezpieczeństwa, wbudowane zabezpieczenie termiczne.

Obudowa: aluminiowa rama i ocynkowane panele stalowe z 20 mm warstwą wełny mineralnej.



Кухонные вытяжные вентиляторы для систем вентиляции, устанавливаются в системы, где воздух немного загрязнен или температура достигает 120°C. Эксплуатируются в целях вытяжки воздуха из кухни, производственных цехов и других мест, где нужна вытяжка загрязненного воздуха. Двигатели находятся снаружи от воздушного потока.

Легко разбираемый корпус, гарантирующий легкое монтирование.

Угол выдуваемого воздушного потока вентилятора - 90°.

Крыльчатка – загнутые назад лопасти.

Двигатель – IEC стандарта, наружный ротор, регулируемая скорость, защитный выключатель On/Off, встроенная термokonтактная защита двигателя.

Корпус – из алюминиевой рамы и двойных стенок, оцинкованная стальная панель, 25 мм изоляция, из минеральной ваты.

Accessories

Single phase speed controller



TGRV

p. 138

Three phase speed controller



TGRT

p. 139

Frequency inverter



FI

p. 143

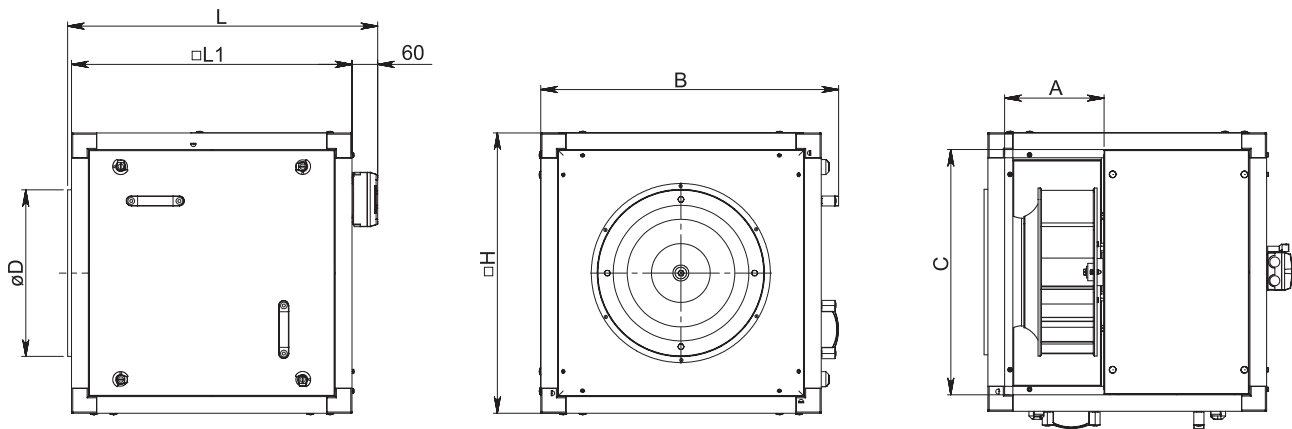
Flange - adapter



PR

p. 154

KUB T120



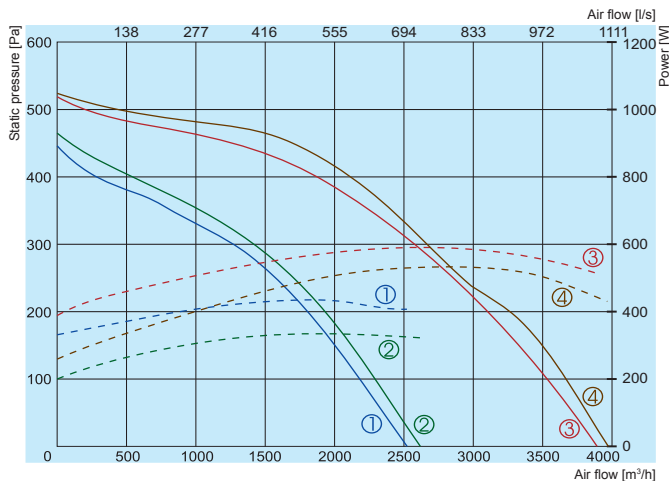
Type	Dimensions [mm]						
	øD	L	□ L1	□ H	A	B	C
KUB T120 355	355	570	500	500	225	540	420
KUB T120 400	400	740	670	670	240	712	590
KUB T120 450	450	740	670	670	275	712	590
KUB T120 500	500	740	670	670	310	712	590
KUB T120 560	560	870	800	800	355	840	720
KUB T120 630	630	940	865	865	385	905	785

Type	Accessories					
	TGRV	TGRT	Mains			PR
			1X230 V	3X230 V	3X400 V	
KUB T120 355-4L1	4	-	ODE-2-12075-1KB12-01	ODE-2-12075-1KB12-01	-	420x420-355
KUB T120 355-4L3	-	2	ODE-2-12037-1KB12	ODE-2-12075-3K012	ODE-2-14075-3KA12	420x420-355
KUB T120 400-4L1	5	-	ODE-2-12075-1KB12	ODE-2-12075-1KB12-01	-	590x590-400
KUB T120 400-4L3	-	2	ODE-2-12075-1KB12	ODE-2-12075-3K012	ODE-2-14075-3KA12	590x590-400
KUB T120 450-4L1	11	-	ODE-2-22110-1KB42-01	ODE-2-22110-1KB42-01	-	590x590-450
KUB T120 450-4L3*	-	-	ODE-2-12150-1KB12	ODE-2-12150-3K012	ODE-2-14150-3KA12	590x590-450
KUB T120 500-4L1	14	-	ODE-2-22220-1KB42	ODE-2-22220-3K042	-	590x590-500
KUB T120 500-4L3*	-	-	ODE-2-12150-1KB12	ODE-2-22150-3KB42	ODE-2-14150-3KA12	590x590-500
KUB T120 560-4L3*	-	-	ODE-2-32040-1KB42	ODE-2-32040-3K042	ODE-2-24400-3KA42	695x695-560
KUB T120 630-4L3*	-	-	-	-	ODE-2-34055-3KA42	790x790-630

* Speed is controlled only with the frequency inverter. Motors standard IE2.

When frequency converter is used for speed control than shielded cable must be used for power supply.

KUB T120



- ① — KUB T120 355-4L1
 - ② — KUB T120 355-4L3
 - ③ — KUB T120 400-4L1
 - ④ — KUB T120 400-4L3
- Performance
- - - Power consumption

		355-4L1	355-4L3	400-4L1	400-4L3
Voltage/Frequency	[V/Hz]	~1,230/50	~3,400/50	~1,230/50	~3,400/50
Power consumption	[kW]	0,44	0,35	0,59	0,54
Current	[A]	2,55	1,06	3,17	1,38
Speed	[min ⁻¹]	1320	1340	1360	1390
Max. airflow	[m ³ /h]	2522	2619	3892	3976
Min/Max ambient air temperature	[°C]	-40/+40	-40/+40	-40/+40	-40/+40
Weight	[kg]	33	33	55	55
Wiring diagram		No. 1	No. 3/4	No. 1	No. 3/4
Protection class:	motor	IP-55	IP-55	IP-55	IP-55
Comply with ERP 2013		+	+	+	+

The provided technical data is by using #3 el. connection scheme. Using #4 el. connection scheme, technical data will be different.

* The Commission Regulation ErP 2015 does not apply to fans with an electrical input power of less than 125W and/or when the operating temperatures of the air stream exceed 100°C;

355-4L1

	Lwa total, dB(A)	Lwa, dB(A)						
		125 Hz	250 Hz	500 Hz	1 kHz	2 kHz	4 kHz	8 kHz
Inlet	68	55	62	64	60	59	55	46
Outlet	71	58	61	67	65	60	56	48
Surrounding	55	42	48	51	47	43	39	35

Measured at 2113 m³/h, 120 Pa

355-4L3

	Lwa total, dB(A)	Lwa, dB(A)						
		125 Hz	250 Hz	500 Hz	1 kHz	2 kHz	4 kHz	8 kHz
Inlet	68	56	62	64	60	59	56	47
Outlet	71	59	62	67	65	61	56	49
Surrounding	55	43	48	52	47	43	40	36

Measured at 2241 m³/h, 120 Pa

400-4L1

	Lwa total, dB(A)	Lwa, dB(A)						
		125 Hz	250 Hz	500 Hz	1 kHz	2 kHz	4 kHz	8 kHz
Inlet	72	60	64	67	66	62	57	51
Outlet	74	62	66	70	68	64	59	52
Surrounding	59	48	53	55	53	48	43	37

Measured at 3482 m³/h, 121 Pa

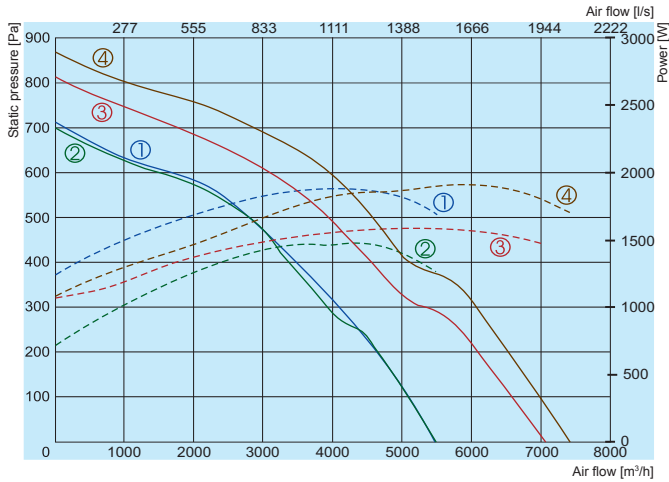
400-4L3

	Lwa total, dB(A)	Lwa, dB(A)						
		125 Hz	250 Hz	500 Hz	1 kHz	2 kHz	4 kHz	8 kHz
Inlet	72	61	65	67	66	63	57	52
Outlet	76	63	66	74	68	65	60	54
Surrounding	59	47	54	55	52	49	43	37

Measured at 3583 m³/h, 120 Pa

The fan characteristic curves were determined in accordance with EN ISO 5801. The sound levels were determined in accordance with DIN 45635 resp. ISO 3744 at a distance of 1 m from the fan.

KUB T120



- ① — KUB T120 450-4L1
 - ② — KUB T120 450-4L3
 - ③ — KUB T120 500-4L1
 - ④ — KUB T120 500-4L3
- Performance
- - - Power consumption

		450-4L1	450-4L3	500-4L1	500-4L3
Voltage/Frequency	[V/Hz]	~1,230/50	~3,400/50	~1,230/50	~3,400/50
Power consumption	[kW]	1,14	0,92	1,6	1,44
Current	[A]	6,55	2,13	7,95	3,08
Speed	[min ⁻¹]	1420	1430	1420	1430
Max. airflow	[m ³ /h]	5477	5645	7045	7404
Min/Max ambient air temperature	[°C]	-40/+40	-40/+40	-40/+40	-40/+40
Weight	[kg]	62	62	66	66
Wiring diagram		No. 2	No. 3	No. 2	No. 3/4
Protection class:	motor	IP-55	IP-55	IP-55	IP-55
Comply with ERP 2013		+	+	+	+

The provided technical data is by using #3 el. connection scheme. Using #4 el. connection scheme, technical data will be different.

* The Commission Regulation ErP 2015 does not apply to fans with an electrical input power of less than 125W and/or when the operating temperatures of the air stream exceed 100°C;

450-4L1

	LWA total, dB(A)	Lwa, dB(A)						
		125 Hz	250 Hz	500 Hz	1 kHz	2 kHz	4 kHz	8 kHz
Inlet	75	64	68	70	69	66	60	54
Outlet	77	66	70	72	70	68	64	57
Surrounding	62	51	56	57	54	50	45	40

Measured at 5080 m³/h, 101 Pa

450-4L3

	LWA total, dB(A)	Lwa, dB(A)						
		125 Hz	250 Hz	500 Hz	1 kHz	2 kHz	4 kHz	8 kHz
Inlet	76	65	70	72	69	67	61	55
Outlet	78	66	71	73	70	69	66	58
Surrounding	62	51	57	58	54	51	47	41

Measured at 5277 m³/h, 99 Pa

500-4L1

	LWA total, dB(A)	Lwa, dB(A)						
		125 Hz	250 Hz	500 Hz	1 kHz	2 kHz	4 kHz	8 kHz
Inlet	79	70	71	75	72	69	63	59
Outlet	81	73	72	76	75	70	63	62
Surrounding	64	56	57	60	58	53	46	44

Measured at 6472 m³/h, 119 Pa

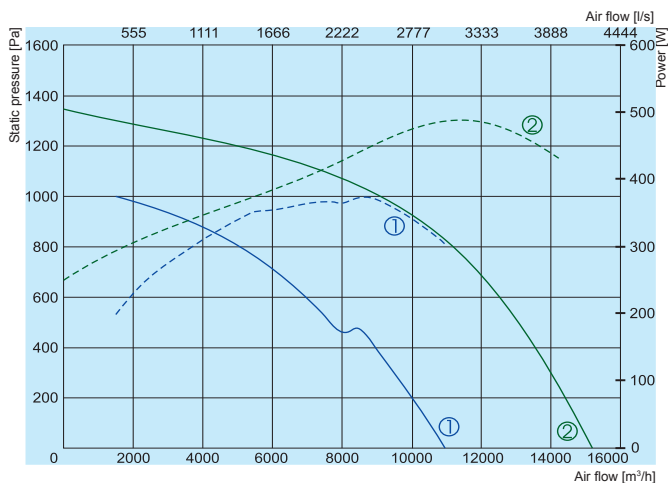
500-4L3

	LWA total, dB(A)	Lwa, dB(A)						
		125 Hz	250 Hz	500 Hz	1 kHz	2 kHz	4 kHz	8 kHz
Inlet	79	70	72	75	73	69	64	60
Outlet	81	73	73	76	75	72	65	63
Surrounding	65	56	58	60	58	54	47	45

Measured at 6881 m³/h, 122 Pa

The fan characteristic curves were determined in accordance with EN ISO 5801. The sound levels were determined in accordance with DIN 45635 resp. ISO 3744 at a distance of 1 m from the fan.

KUB T120



① — KUB T120 560-4L3

② — KUB T120 630-4L3

— Performance
 - - - Power consumption

		560-4L3	630-4L3
Voltage/Frequency	[V/Hz]	~3,400/50	~3,400/50
Power consumption	[kW]	2,5	4,88
Current	[A]	5,04	8,9
Speed	[min ⁻¹]	1440	1450
Max. airflow	[m ³ /h]	10942	15100
Min/Max ambient air temperature	[°C]	-40/+40	-40/+40
Weight	[kg]	98	134
Wiring diagram		No. 3/4	No. 5
Protection class:	motor	IP-55	IP-55
Comply with ERP 2013		+	+

The provided technical data is by using #3 el. connection scheme. Using #4 el. connection scheme, technical data will be different.

* The Commission Regulation ErP 2015 does not apply to fans with an electrical input power of less than 125W and/or when the operating temperatures of the air stream exceed 100°C;

560-4L3

	L _{wa} total, dB(A)	L _{wa} , dB(A)						
		125 Hz	250 Hz	500 Hz	1 kHz	2 kHz	4 kHz	8 kHz
Inlet	85	74	78	80	79	76	61	64
Outlet	87	76	80	82	81	78	74	66
Surrounding	71	60	65	66	64	60	51	49

Measured at 10307 m³/h, 145 Pa

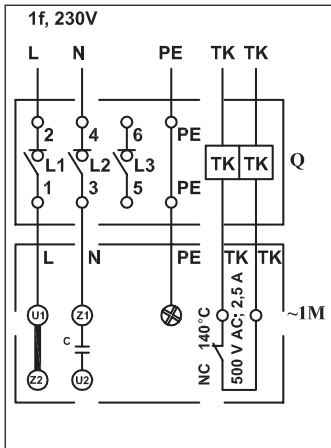
630-4L3

	L _{wa} total, dB(A)	L _{wa} , dB(A)						
		125 Hz	250 Hz	500 Hz	1 kHz	2 kHz	4 kHz	8 kHz
Inlet	91	80	85	86	84	81	67	65
Outlet	94	82	87	90	87	84	78	73
Surrounding	78	68	72	73	70	65	59	55

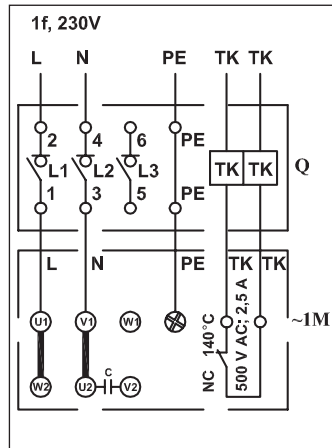
Measured at 14159m³/h, 239 Pa

The fan characteristic curves were determined in accordance with EN ISO 5801. The sound levels were determined in accordance with DIN 45635 resp. ISO 3744 at a distance of 1 m from the fan.

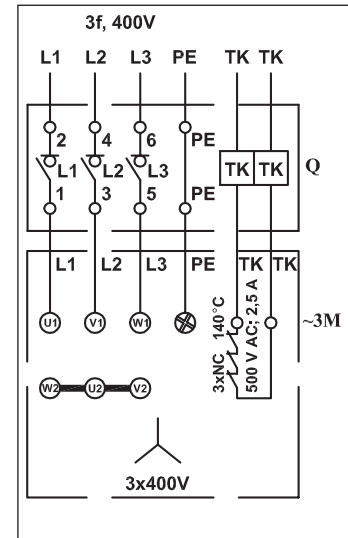
Wiring diagram No. 1*



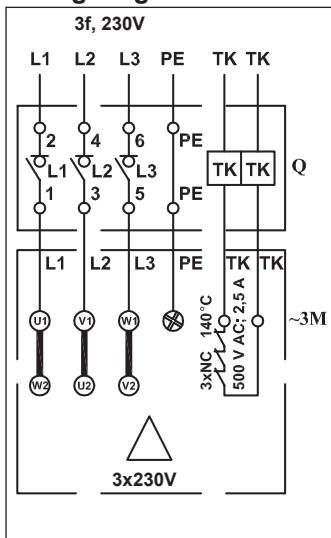
Wiring diagram No. 2*



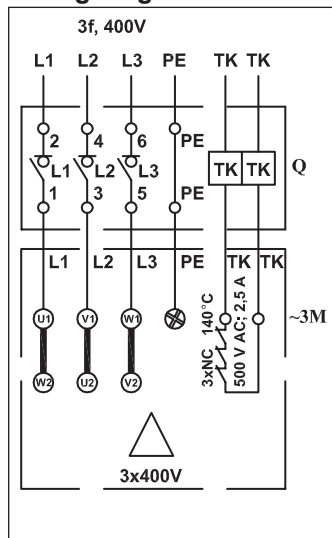
Wiring diagram No. 3*



Wiring diagram No.4



Wiring diagram No. 5*



* Fans must be connected with frequency converters (if it is used) with screened cable complying EMC standards.